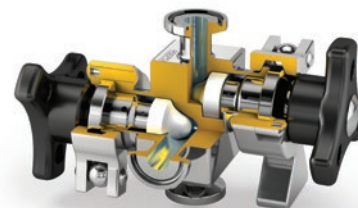


Weirless Radial diaphragm™ block and bleed valve

FEATURES AND BENEFITS

- Block body design eliminates dead leg area
- Patented radial diaphragm, eliminates entrapment for easy cleaning
- Features a broad install angle with full drainability in multiple orientations
- Simple Tri-Clamp assembly makes maintenance 80% faster
- No readjustment or retightening



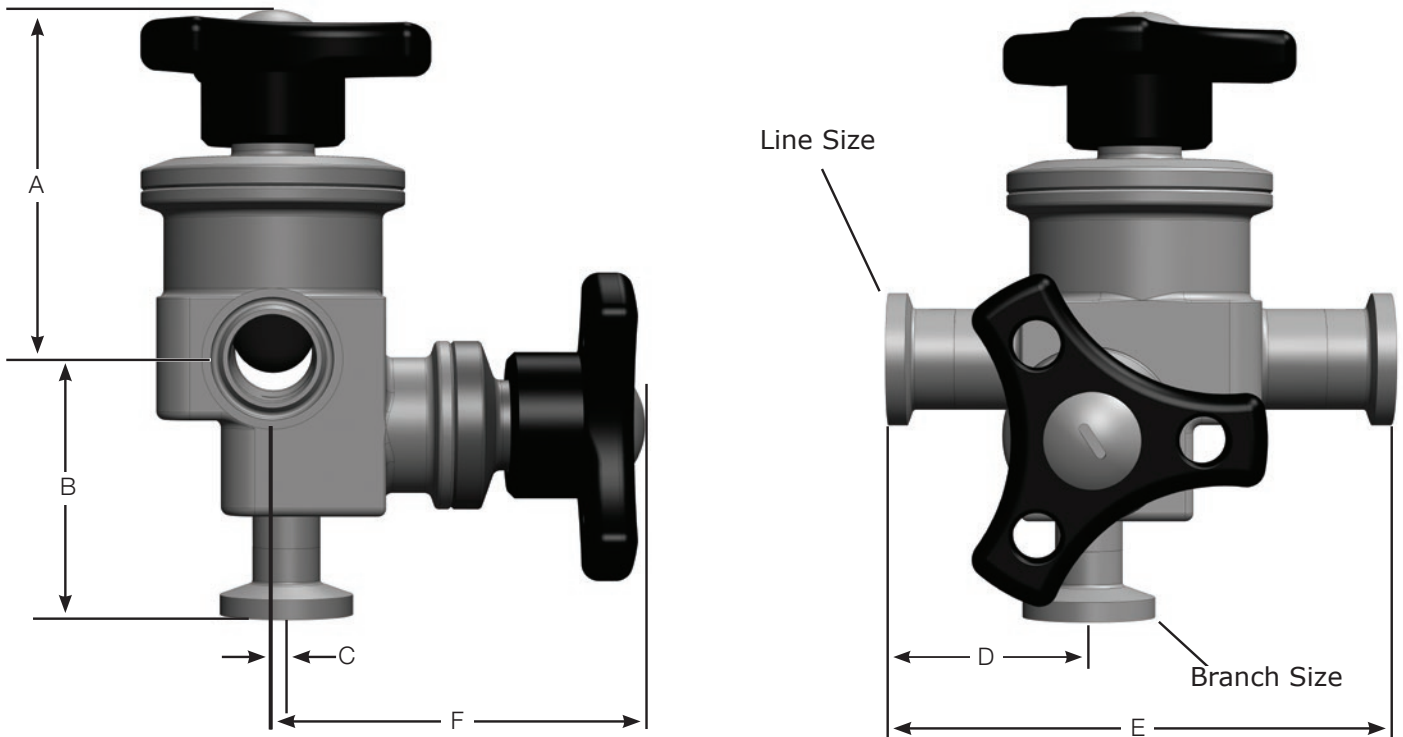
TECHNICAL DATA

| Valves | | | | | |
|--------------------------|---|----------------------------------|--|--|--|
| Material | 316L, AL6XN, Hastelloy Machined from solid, hot-rolled, bar stock or forgings | | | | |
| Surface Finish | Max. 0.5 µm Ra (20 micro-inch Ra), electropolished Max. 0.375 µm Ra (15 micro-inch Ra), electropolished Max. 0.25 µm Ra (10 micro-inch Ra), electropolished | | | | |
| Sizes | 0.5 Compact, 0.75, 1, and 1.5 inch | | | | |
| Available Connections | Hygienic clamp, tube-end | | | | |
| Handle Colors | Standard: 0.5, 0.75, 1, and 1.5 inch black On request: blue, red, yellow, amber, green, purple | | | | |
| Maximum Pressure | 10 bar (150 psi) | | | | |
| Maximum Temperature | 135C/275F | | | | |
| Marking | Each valve is serialized and marked for full material traceability | | | | |
| ISO | All product and procedures are governed by our ISO Quality Assurance Program | | | | |
| Standards | BPE, CE-PED, ASME | | | | |
| Actuators | | | | | |
| Types | Manual or pneumatic Fail open or closed | | | | |
| Material | Base is 304 stainless, manual handle is PES, pneumatic housing is PPS | | | | |
| Sizes | 0.5, 0.75, 1, and 1.5 inch | | | | |
| Operating Air Pressure | 7 bar (100 psi) max. for pneumatic actuators | | | | |
| Seals | PTFE bushings and O-rings | | | | |
| Fitting | 1/8" NPT air connection (for pneumatic) | | | | |
| Possible Instrumentation | Switched With or without solenoids With or without DeviceNet cards | | | | |
| Diaphragms | | | | | |
| Materials | EPDM | EPDM Plus | | | |
| Temperature Range | -35 to 135C (-30 to 275F) | -35 to 135C (-30 to 275F) | | | |
| Class | USP Class VI, 21 CFR 177.2600 | USP Class VI, 21 CFR 177.2600 | | | |
| Parylene Treatment | - | √ | | | |

PERFORMANCE DATA

| Block and bleed valve's main line flow rates | |
|--|---------------------------------------|
| Size inches | Cv at 1 psi (0.07 bar) LPM (USGPM) |
| 0.5 x 0.5 | 17.8 (4.70) |
| 0.75 x 0.5 | 36 (9.51) |
| 0.75 x 0.75 | 36 (9.51) |

DIMENSIONS



Block and bleed valve dimensions

| Line x Branch Size inches | A mm (in) | B mm (in) | C mm (in) | D mm (in) | E mm (in) | F mm (in) |
|---------------------------|--------------|-------------|------------|-------------|-------------|-------------|
| 0.5 x 0.5 | 110.5 (4.35) | 43.2 (1.70) | 0.0 (0.00) | 31.5 (1.24) | 69.9 (2.75) | 67.3 (2.65) |
| 0.75 x 0.5 | 114.8 (4.52) | 48.8 (1.92) | 2.5 (0.10) | 38.1 (1.50) | 95.2 (3.75) | 69.9 (2.75) |
| 0.75 x 0.75 | 133.4 (5.25) | 67.3 (2.65) | 0.0 (0.00) | 41.4 (1.63) | 94.0 (3.70) | 65.5 (2.58) |

TECHNICAL SPECIFICATION

Block and bleed valve weights

| Size inches | Valve Body kg (lb) | Total Weight with Manual Actuator kg (lb) |
|-------------|--------------------|---|
| 0.5 x 0.5 | 0.68 (1.50) | 1.20 (2.60) |
| 0.75 x 0.5 | 1.00 (2.2) | 2.80 (6.20) |
| 0.75 x 0.75 | 2.50 (5.60) | 4.20 (9.30) |

ORDERING INFORMATION

| Model Code | Part Description |
|------------|--|
| BC05-125-1 | Weirless valve 0.5", Block & Bleed, 316L Clamp-end inlet, Clamp-end outlet, 2.75" Face-to-Face & 0.5" bleed valve with clamp-end outlet, 20 micro-inch Ra surface finish, electropolished and passivated, includes body/actuator clamp |
| BC08-125-1 | Weirless valve 0.75", Block & Bleed, 316L Clamp-end inlet, Clamp-end outlet, 3.75" Face-to-Face & 0.5" bleed valve with clamp-end outlet, 20 micro-inch Ra surface finish, electropolished and passivated, includes body/actuator clamp |
| BC08-126-1 | Weirless valve 0.75", Block & Bleed, 316L Clamp-end inlet, Clamp-end outlet, 3.75" Face-to-Face & 0.75" bleed valve with clamp-end outlet, 20 micro-inch Ra surface finish, electropolished and passivated, includes body/actuator clamp |

Disclaimer: The information contained in this document is believed to be correct but ASEPCO accepts no liability for any errors it contains and reserves the right to alter specifications without notice. It is the users responsibility to ensure product suitability for use within their application. Radial diaphragm is a trademark of ASEPCO Corporation. Tri-Clamp is a registered trademark of Alfa Laval Corporate AB.

ASEPCO

wmftg.com
info.asepco@wmftg.com
+1-650-691-9500