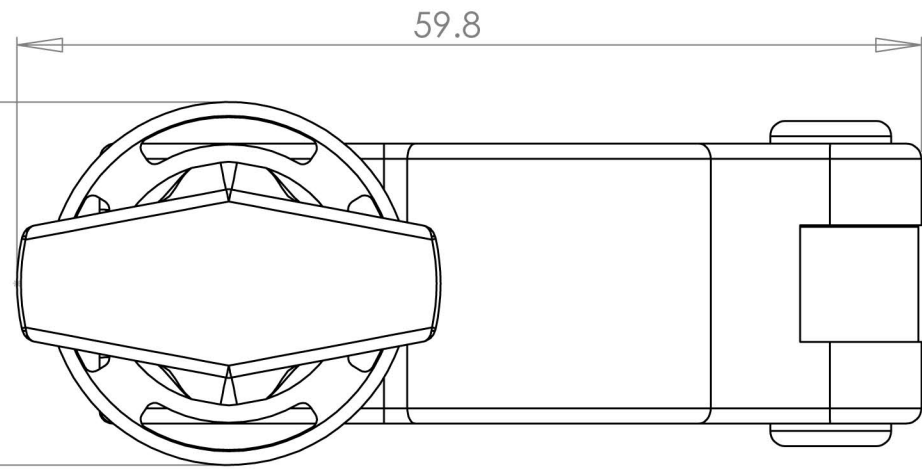
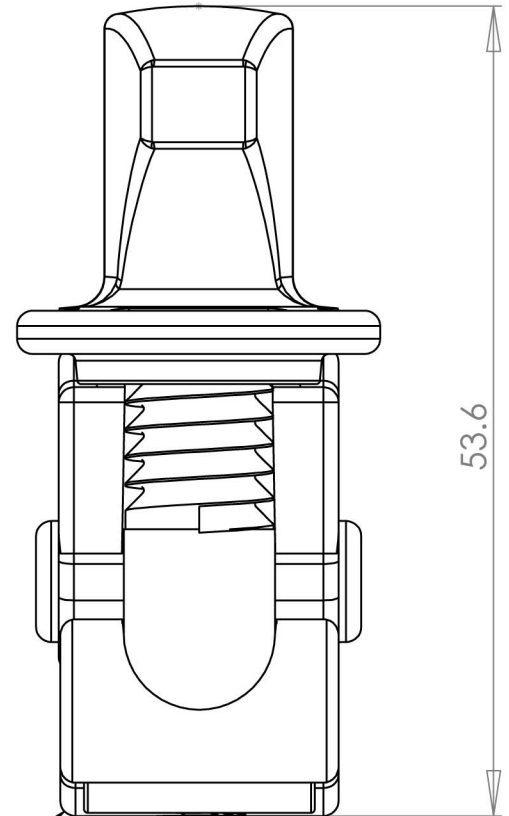
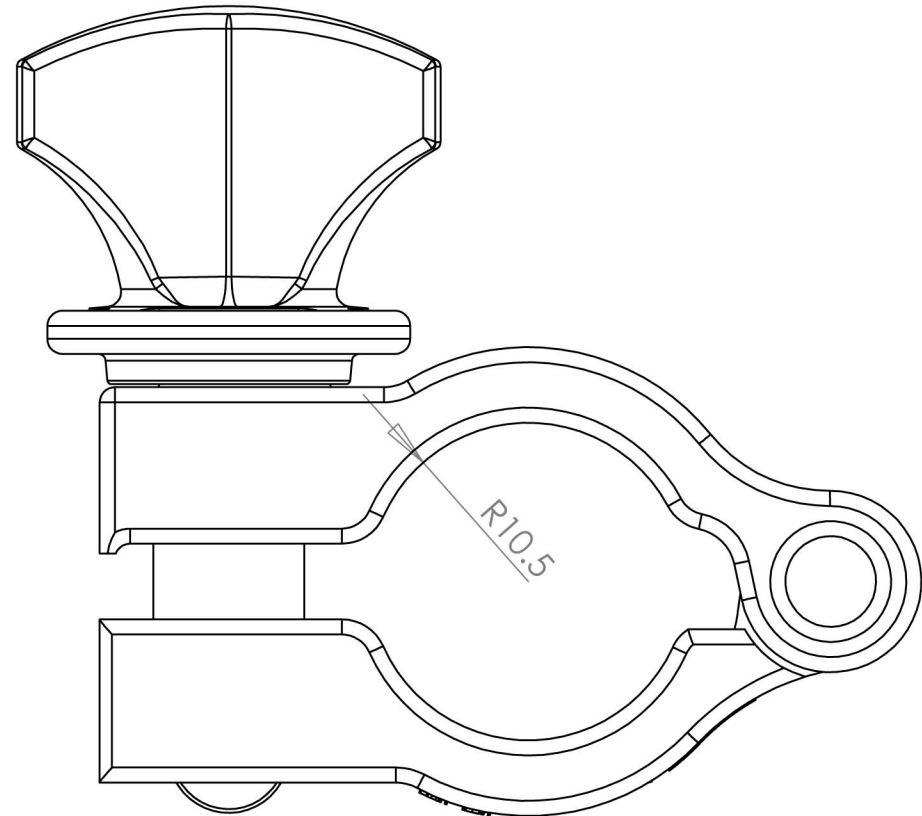
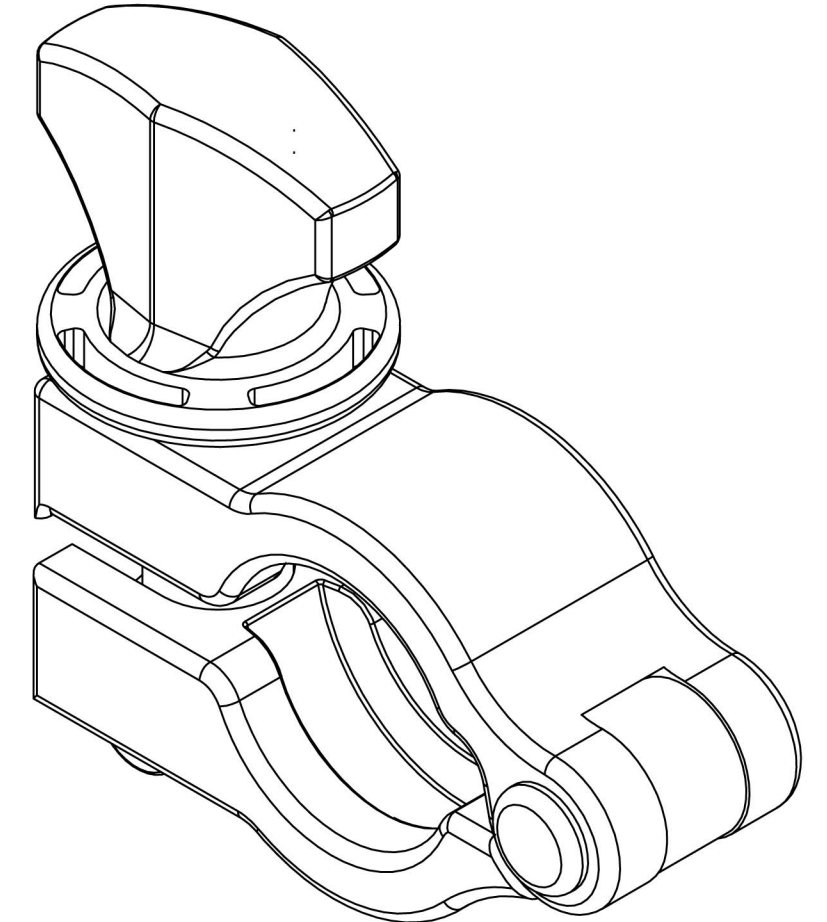


SIZE CLOCK PAT. NO.



REVISIONS				
ZONE	REV.	DESCRIPTION	DATE	APPROVED
	D	WINGNUT PROFILE ALTERED	22/08/2011	

UK PAT NO:GB2362428
 UK PAT NO:GB2361753
 UK PAT NO:GB2352475
 USA PAT NO:US6708377
 USA PAT NO:US7384078
 EUR PAT NO: EP1230505
 AUSTRALIAN PAT NO:AU774546
 INDIA PAT NO:IN199286



copyright ©
 This drawing and its associated design is the property of Bio-pure technology Ltd & may not be copied or used for any purpose other than that for which it was supplied, without the express written authority of bio pure technology Ltd.



BioPure Technology Ltd,
 Unit M1, Hazleton Interchange,
 Lakesmere Road, Horndean, PO8 9JU.
 Tel: +44 (0) 2392 499000
 Fax: +44 (0) 2392 499001
 Email: sales@biopuretech.com
 Web: www.biopuretech.com

ITEM	QTY	PART ID	MATERIAL	FILE NAME: CLAMP 0.75 ASSY
UNLESS OTHERWISE STATED DIMENSIONS IN mm			FINISH: WHITE WT 192	TITLE: BIO-CLAMP NG075WHT
TOLERANCE 0 DEC PLACE +/- 0.5mm 1 DEC PLACE +/- 0.25mm		SIZE A4 ISSUE: D SHEET: 1	MATERIAL: GLASS REINFORCED NYLON	DWG NO: NG075WHT
		SCALE NTS	DEBUR AND BREAK SHARP EDGES	WEIGHT: DENSITY: