

# Bredel 15



Hose Pumps

Bredel hose pumps (10-50)

## Features and benefits

- Dry running and self-priming
- Suction capability up to 9.5 mWC (354 inWC)
- No seals, ball-checks, diaphragms, glands, immersed rotors, stators or pistons to leak, clog, corrode or replace
- Handles abrasive slurries, corrosive acids, gaseous liquids
- No slippage, allowing true positive displacement for accurate, repeatable metering
- No ancillary equipment, check valves, sealing water flush systems or run-dry protection required
- Fully reversible to blow out suction and drain lines safely

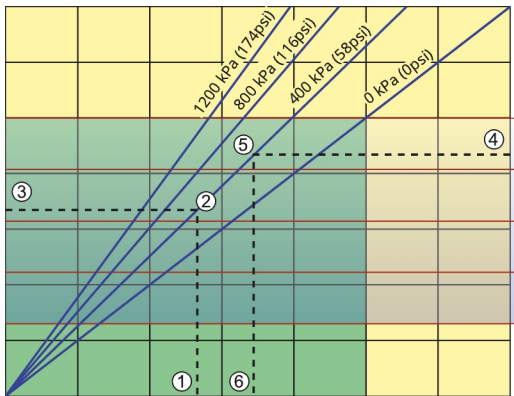


## Bredel 15 performance

### Bredel 15

Required motor power kW (hp)

0.35 (0.48 hp)  
 0.30 (0.41 hp)  
 0.25 (0.34 hp)  
 0.20 (0.27 hp)  
 0.15 (0.20 hp)  
 0.10 (0.14 hp)



Product temperature C (F)  
 40 (104F)  
 50 (122F)  
 60 (140F)  
 70 (158F)  
 80 (176F)

Pump speed rpm	15	30	45	60	75	90	105
Capacity L/h	75	150	225	300	375	450	525
Capacity USGPM	0.33	0.66	0.99	1.32	1.65	1.98	2.31

Note: The area of continuous operation diminishes with increased product temperatures. For product temperatures >40C, the area of continuous operation reduces to the corresponding red temperature line.

1. Flow required indicates pump speed
2. Calculated discharge pressure
3. Net motor power required
4. Product temperature
5. Calculated discharge pressure
6. Maximum recommended pump speed

- Continuous duty
- Intermittent duty

\* Maximum 3 hours operation followed by minimum 1 hour stop

## Technical specifications

	Bredel 15
Max. flow rate continuous	375 L/h
Max. flow rate continuous	99 USGPH
Max. flow rate intermittent	525 L/h
Max. flow rate intermittent	139 USGPH
Volume per revolution	0.083 L
Volume per revolution	0.0219 USG
Max. continuous operating speed	75 rpm
Max. intermittent operating speed	105 rpm
Max. operating pressure	12 bar
Max. operating pressure	174 psi
Max. inlet pressure	2 bar abs
Max. inlet pressure	30 psi abs
Max. suction capability	9.5 mWC
Max. suction capability	374 inWC
Suction capability (80% Flow rate)	9.5 mWC
Suction capability (80% Flow rate)	374 inWC
Operating temperature range	-20 °C to 45 °C
Operating temperature range	-4 °F to 113 °F
Fluid temperature range	-20 °C to 80 °C
Fluid temperature range	-4 °F to 176 °F
Min. starting torque	60 N m
Min. starting torque	531 in.lbs
Weight	45 kg
Weight	99 lbs
Hose lubricant required	0.5 L
Hose lubricant required	0.1 USG
Port configurations	Down, Left, Right, Up
Compatible hose materials	CSM, EPDM, F-NBR, NBR, NBR for food, NR-Metering, NR-Transfer
Flange assembly type	ANSI, DIN

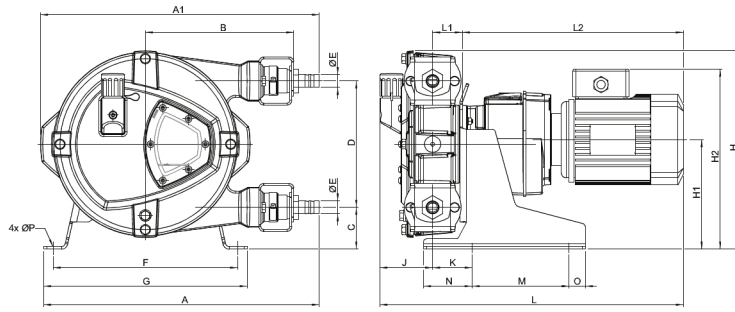
Please consult your Bredel representative for lower or higher temperature operation.

Allowable ambient temperature is based on pump capabilities and may be further limited by gearbox ambient capabilities.

## Materials of construction

	Bredel 15
Hose material	CSM, EPDM, F-NBR, NBR, NBR for food, NR-Metering, NR-Transfer
Housing	Cast iron, ISO12944 category C4M
Rotor assembly	Cast iron, ISO12944 category C4M
Cover assembly	Cast iron, ISO12944 category C4M
Brackets and fasteners	Stainless steel 316
Support frame	Galvanised steel, Stainless steel 316
Hose clamps	Stainless steel 316
Coupling bush	Alloy steel
Seals	EPDM

## Bredel 15 dimensions



Type	A	A1	B	C	D	ØE	F	G	H	H1	H2max	J	K	Lmax	L1	L2max	M	N	O	ØP
Bredel 15 (mm)	427	431	230	63	195	20	285	315	304	167	294	82	61	505	46	378	150	75	25	12
Bredel 15 (inches)	16.8	17.0	9.1	2.5	7.7	20mm	11.2	12.4	12.0	6.6	11.6	3.2	2.4	19.9	1.8	14.9	5.9	3.0	1.0	12mm
<b>Connector sizes</b>									<b>MNPT</b>			<b>EN DIN</b>				<b>JIS</b>				
Bredel 15									0.75"			20mm				20mm				

Disclaimer: The information contained in this document is believed to be correct at the time of publication, but Watson-Marlow Bredel BV accepts no liability for any error it contains, and reserves the right to alter specifications without prior notice. All mentioned values in this document are values under controlled circumstances at our test bed. Actual flow rates achieved may vary because of changes in temperature, viscosity, inlet and discharge pressures and/or system configuration. APEX, DuCoNite, Bioprene and Bredel are registered trademarks.

[wmfts.com/global](http://wmfts.com/global)



23 November 2023