

# Bredel 50



Hose Pumps

Bredel hose pumps (10-50)

## Features and benefits

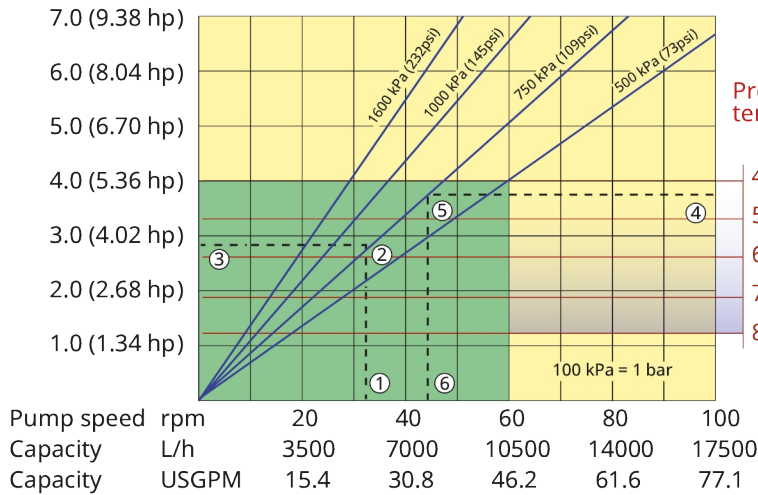
- Dry running and self-priming
- Suction capability up to 9.5 mWC (354 inWC)
- No seals, ball-checks, diaphragms, glands, immersed rotors, stators or pistons to leak, clog, corrode or replace
- Handles abrasive slurries, corrosive acids, gaseous liquids
- No slippage, allowing true positive displacement for accurate, repeatable metering
- No ancillary equipment, check valves, sealing water flush systems or run-dry protection required
- Fully reversible to blow out suction and drain lines safely



## Bredel 50 performance

### Bredel 50

Required motor power kW (hp)



Product temperature C (F)

40 (104F)  
50 (122F)  
60 (140F)  
70 (158F)  
80 (176F)

Note: The area of continuous operation diminishes with increased product temperatures. For product temperatures >40C, the area of continuous operation reduces to the corresponding red temperature line.

1. Flow required indicates pump speed
2. Calculated discharge pressure
3. Net motor power required
4. Product temperature
5. Calculated discharge pressure
6. Maximum recommended pump speed

- Continuous duty
- Intermittent duty

\* Maximum 3 hours operation followed by minimum 1 hour stop

## Technical specifications

	<b>Bredel 50</b>
Max. flow rate continuous	10512 L/h
Max. flow rate continuous	2774 USGPH
Max. flow rate intermittent	17520 L/h
Max. flow rate intermittent	4623 USGPH
Volume per revolution	2.92 L
Volume per revolution	0.77 USG
Max. continuous operating speed	60 rpm
Max. intermittent operating speed	100 rpm
Max. operating pressure	16 bar
Max. operating pressure	232 psi
Max. inlet pressure	2.5 bar abs
Max. inlet pressure	38 psi abs
Max. suction capability	9.5 mWC
Max. suction capability	374 inWC
Suction capability (80% Flow rate)	8 mWC
Suction capability (80% Flow rate)	315 inWC
Operating temperature range	-20 °C to 45 °C
Operating temperature range	-4 °F to 113 °F
Fluid temperature range	-20 °C to 80 °C
Fluid temperature range	-4 °F to 176 °F
Min. starting torque	620 N m
Min. starting torque	5487 in.lbs
Weight	325 kg
Weight	717 lbs
Hose lubricant required	10 L
Hose lubricant required	2.64 USG
Port configurations	Down, Left, Right, Up
Compatible hose materials	CSM, EPDM, F-NBR, NBR, NBR for food, NR-Metering, NR-Transfer
Compatible tube materials	Bioprene
Flange assembly type	ANSI, DIN, JIS

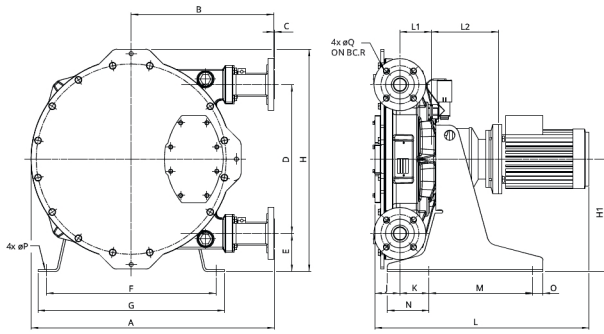
Please consult your Bredel representative for lower or higher temperature operation.

Allowable ambient temperature is based on pump capabilities and may be further limited by gearbox ambient capabilities.

## Materials of construction

	<b>Bredel 50</b>
Hose material	Bioprene (tube), CSM, EPDM, F-NBR, NBR, NBR for food, NR-Metering, NR-Transfer
Housing	Cast iron, ISO12944 category C4M
Rotor assembly	Cast iron, ISO12944 category C4M
Cover assembly	Cast iron, ISO12944 category C4M
Brackets and fasteners	Galvanised steel, Stainless steel 316
Support frame	Galvanised steel, Stainless steel 316
Hose clamps	Galvanised steel, Stainless steel 316
Seals	Neoprene, Nitrile

## Bredel 50 dimensions



Type	A	B	C	D	E	F	G	H	H1	J	K	Lmax	L1	L2max	M	N	O	ØP	ØQ	R
Bredel 50 (mm)	838	475	3	554	143	620	680	811	420	84	95	975	112	339	380	155	40	18	18	125
Bredel 50 (inches)	32.9	18.7	0.12	21.8	5.6	24.4	26.8	31.9	16.5	3.3	3.7	38.4	4.4	13.3	15	6.1	1.6	0.71	0.71	4.9
<b>Connector sizes</b>							<b>ANSI 150#</b>						<b>EN DIN</b>				<b>JIS</b>			
Bredel 50							2"						50mm				50mm			

Disclaimer: The information contained in this document is believed to be correct at the time of publication, but Watson-Marlow Bredel BV accepts no liability for any error it contains, and reserves the right to alter specifications without prior notice. All mentioned values in this document are values under controlled circumstances at our test bed. Actual flow rates achieved may vary because of changes in temperature, viscosity, inlet and discharge pressures and/or system configuration. APEX, DuCoNite, Bioprene and Bredel are registered trademarks.

[wmfts.com/global](http://wmfts.com/global)



23 November 2023