

SPS 250

SPS process pump

Features and benefits

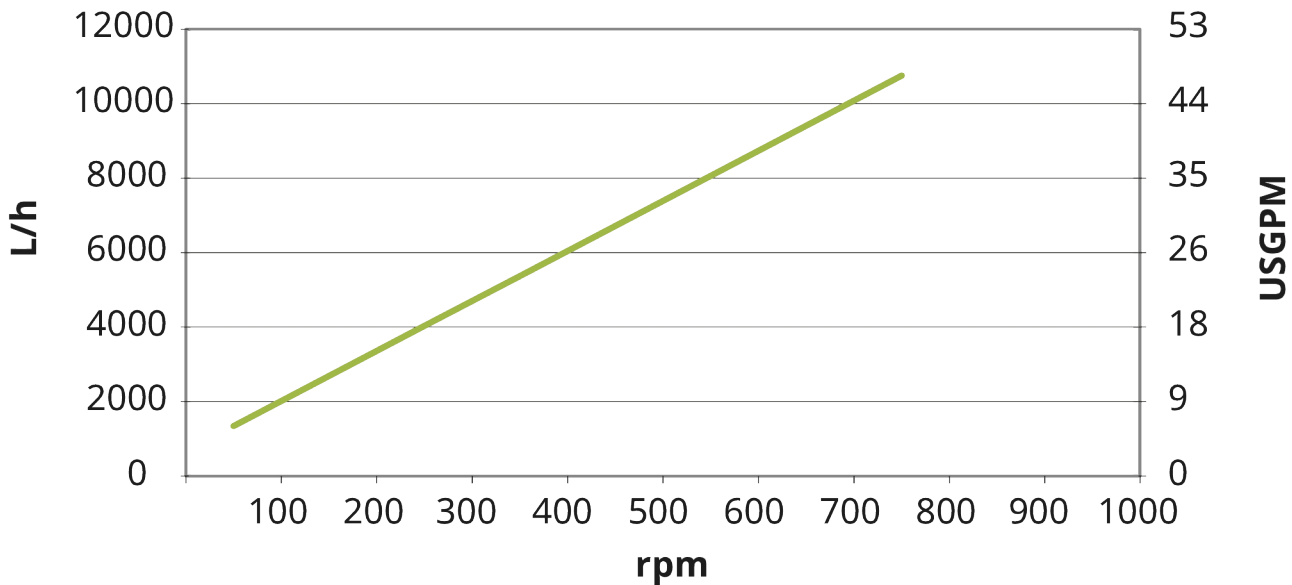
- Low shear transfer pump, with flow up to 11520 L/h at pressures up to 15 bar
- Superior viscous handling
- Consistent flow with high suction capability up to 0.85 bar
- Flexible configuration of housing, nozzle type, size orientation, drive and baseplate
- Hygienic CIP and SIP capability
- FDA and EC 1935/2004 compliance
- Operating temperatures up to 180 °C
- 20-year guarantee on front cover and pump housing



SPS 250 performance

Performance curves

These performance curves show the theoretical flow without consideration of slip



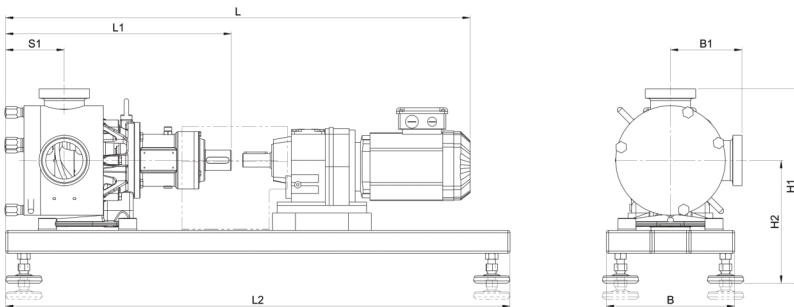
Technical specifications

| | SPS 250 |
|-----------------------------|---|
| Max. flow rate | 11520 L/h |
| Max. flow rate | 50.5 USGPM |
| Volume per revolution | 0.24 L |
| Volume per revolution | 0.063 USG |
| Max. particle size | 22 mm |
| Max. particle size | 0.87 in |
| Suction pressure | 85% of a vacuum |
| Max. operating speed | 800 rpm |
| Max. operating pressure | 15 bar |
| Max. operating pressure | 217 psi |
| Operating temperature range | -20 to 180 °C |
| Operating temperature range | -4 to 356 °F |
| Standards | ATEX |
| Certification | EC 1935/2004, FDA |
| Port orientation | Various options to meet your requirements |
| Port type | Flange, Milk fitting, RJT, SMS, TC |
| Shaft diameter | 28 mm |
| Shaft diameter | 1.1 inch |
| Shaft height | 5.75 inch |
| Shaft height | 146 mm |

Materials of construction

| | SPS 250 |
|-----------------|--|
| Housing | Stainless steel 1.4404, Stainless steel 316L |
| Bearing frame | Stainless steel 1.4301, Stainless steel 304 |
| Rotor | Stainless steel 1.4404, Stainless steel 316L |
| Gate and liners | Polyamide |
| Seals/gaskets | EPDM, FFKM, FKM, NBR, PTFE |

SPS 250 dimensions



| Model | L | | | | L1 | | L2 | | S1 | | B | | B1 | | | | H1 | | | | H2 | | | |
|---------|------|------|------|------|-----|------|-----|------|-----|------|-----|------|------|------|------|------|------|------|------|------|------|------|------|------|
| | min. | | max. | | | | | | | | | | min. | | max. | | min. | | max. | | min. | | max. | |
| | mm | inch | mm | inch | mm | inch | mm | inch | mm | inch | mm | inch | mm | inch | mm | inch | mm | inch | mm | inch | mm | inch | mm | inch |
| SPS 250 | 872 | 34.3 | 1091 | 43 | 428 | 16.9 | 800 | 31.5 | 114 | 4.5 | 210 | 8.3 | 126 | 4.96 | 156 | 6.14 | 375 | 14.8 | 445 | 17.5 | 250 | 9.84 | 290 | 11.4 |

Disclaimer: All flow rates shown were obtained pumping water at 20 °C (68 °F) with zero suction and delivery heads. Disclaimer: The information contained in this document is believed to be correct but Watson-Marlow Limited accepts no liability for any errors it contains and reserves the right to alter specifications without notice. Watson-Marlow, MasoSine, Qdos, ReNu, LoadSure, Bioprene, Pumpsil and Marprene are trademarks of Watson-Marlow Limited. STA-PURE PFL® and STA-PURE PCS® are registered trademarks of W.L Gore & Associates Inc. Please state the product code when ordering pumps and tubing.

wmfts.com/global



31 May 2023