

701FB with RE pumphead

700 series close-coupled pumps

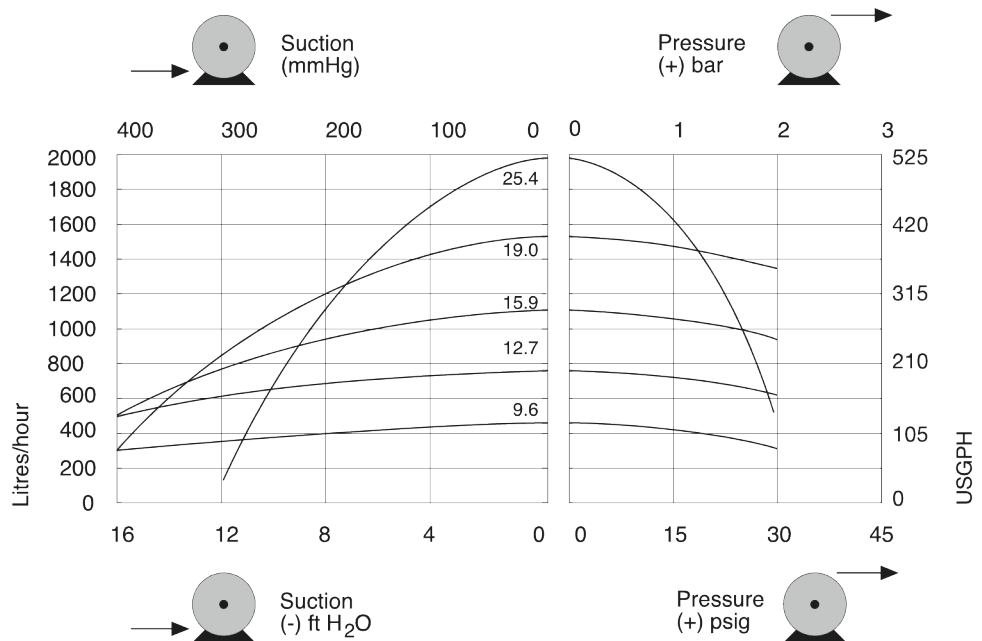
Features and benefits

- Flow rates up to 1,900L/h (8.4GPM) and up to 2 bar (30psi) peak pressure
- A choice of fixed speeds: 45 rpm, 134 rpm, 232 rpm and 348 rpm. Other speeds on request
- LoadSure tubing elements in four sizes and five materials, with industrial cam-and-groove connectors or sanitary Tri-clamp-style connectors
- Rugged, chemical and knock-resistant finish; tool-unlockable track
- Driven occlusion rollers for longer tube life



701FB with RE pumphead performance

| Tube bore and flow rates L/h (USGPH) | | | | |
|--------------------------------------|-----------|------------|------------|------------|
| Pump models | Speed rpm | 12.7mm | 15.9mm | 19.0mm |
| 701FB/RE | 45 | 97 (25.6) | 140 (37) | 190 (50.2) |
| 701FB/RE | 134 | 290 (76.6) | 400 (106) | 560 (148) |
| 701FB/RE | 232 | 500 (132) | 700 (185) | 970 (256) |
| 701FB/RE | 348 | 750 (198) | 1000 (264) | 1500 (396) |



Technical specifications

| | 701FB with RE pumphead |
|---------------------------|----------------------------|
| Max. flow rate | 1500 L/h |
| Min. flow rate | 97 L/h |
| Max. operating pressure | 2 bar |
| Ambient Temperature Range | 5 to 40 °C |
| Ambient Temperature Range | 41 to 104 °F |
| Motor types | Fixed speed motor |
| Max. operating speed | 348 rpm |
| Standards | BS0800, CE, EN60529 (IP55) |
| Ingress rating | IP55 |
| Noise | <85dB(A) at 1m |
| Weight | 41 kg |
| Power supply | 230/400V 50/60Hz 3 phase |

Table lists details for fixed speed pumps. For more detail on drive, AC motor and inverter options please contact your local Watson-Marlow Fluid Technology Solutions representative.

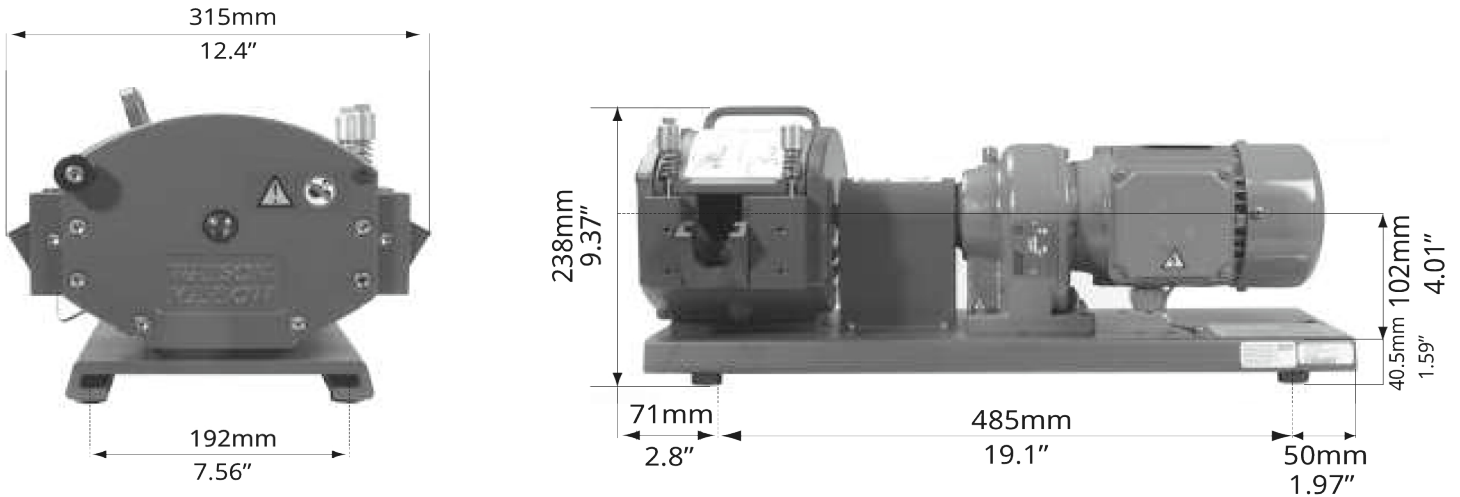
Materials of construction

| | 701FB with RE pumphead |
|--------------------------|---|
| Gearbox | Cast iron |
| Pumphead body assembly | Aluminium alloy with epoxy polyester powder coat finish |
| Pumphead roller assembly | MoS2 filled Nylon 6 (Nylatron) |
| Pumphead rotor assembly | Aluminium, Stainless steel |
| Pumphead track | Aluminium alloy with epoxy polyester powder coat finish |
| Fixings | Stainless steel |

Information listed covers the complete range of fixed speed pumps.

For detailed specifications of individual models/components and other drive/pumphead options, refer to user manual or contact WMFTS representative.

701FB with RE pumphead dimensions



Disclaimer: All flow rates shown were obtained pumping water at 20 °C (68 °F) with zero suction and delivery heads. Watson-Marlow, Pumpsil, PureWeld XL, Bioprene and Marprene are trademarks of Watson-Marlow Limited. Disclaimer: The information contained in this document is believed to be correct but Watson-Marlow Limited accepts no liability for any errors it contains, and reserves the right to alter specifications without notice. GORE and STA-PURE are trademarks of W. L. Gore & Associates. Please state the product code when ordering pumps and tubing.

wmfts.com/global



14 August 2023